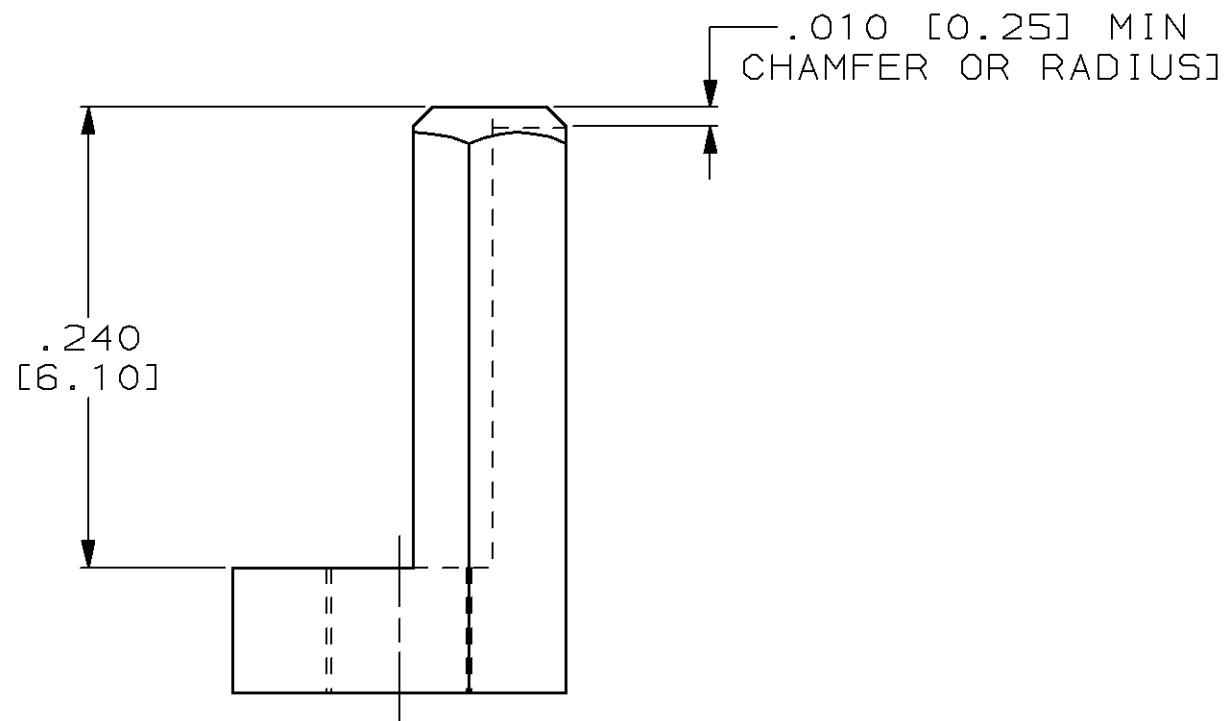
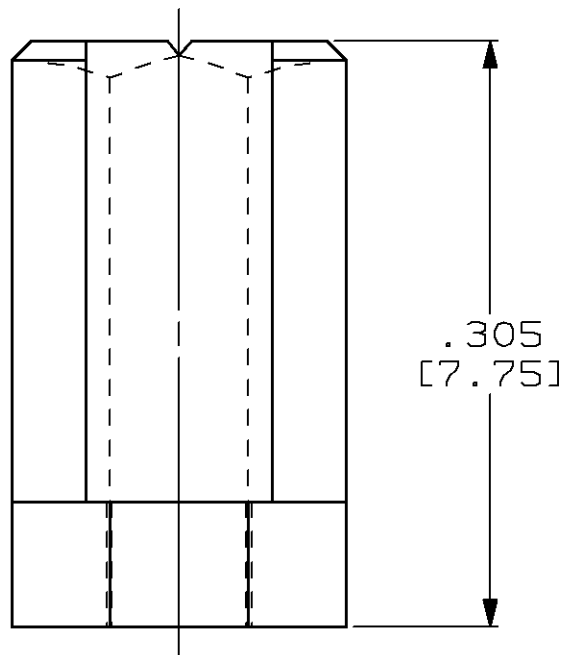
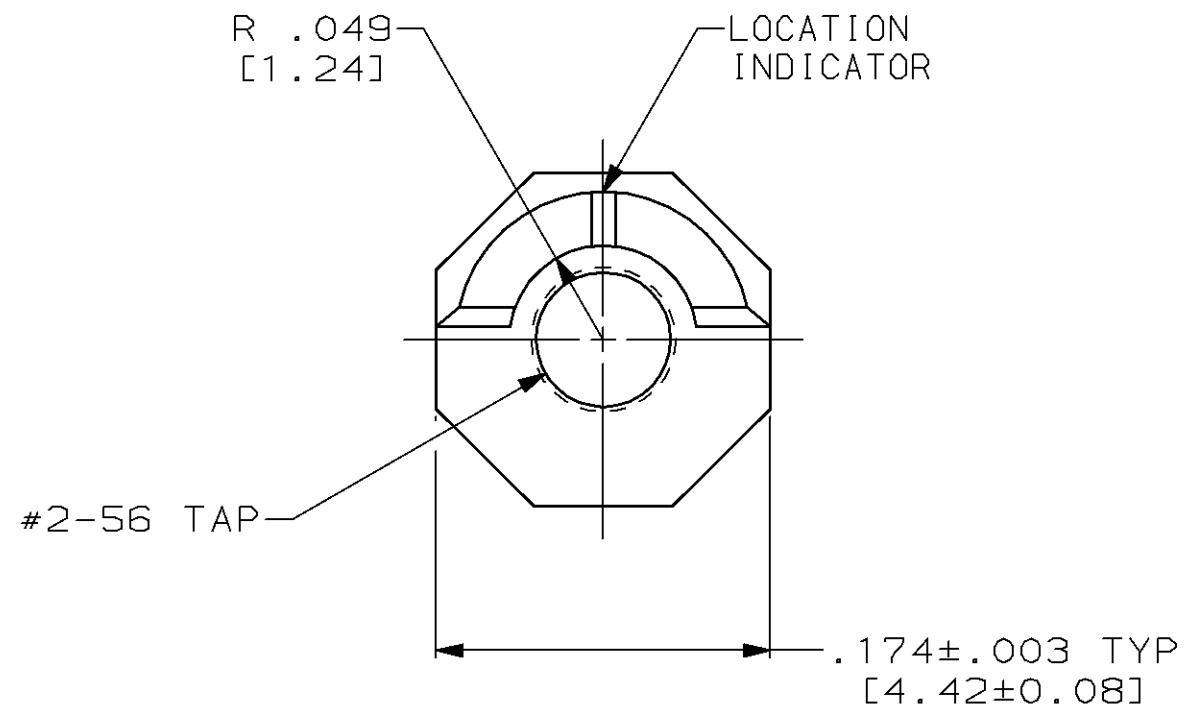


THIS DRAWING IS UNPUBLISHED. RELEASED FOR PUBLICATION
 © COPYRIGHT 19 BY AMP INCORPORATED. ALL INTERNATIONAL RIGHTS RESERVED.

| PROD CODE | LOC | DIST | P | F | ZONE | LTR | DESCRIPTION | DATE | APPD |
|-----------|-----|------|---|---|------|-----|--|----------|------|
| 5394 | DF | FO | | | | F1 | REDRAWN & REVISED PER ECN DF-4625 T.S. | 2-23-93 | DM |
| | | | ✓ | ✓ | | G | REV PER 0600-5094-96 JB | 08-03-97 | DM |



- ① RECEPTACLE KIT CONSISTING OF 2 PIECES OF 530341-1 AND 2 #2-56 SCREWS, 1/4" LONG.
- ② PIN HEADER KIT CONSISTING OF 2 PIECES OF 530341-1 AND 2 PIECES OF 530347-1.
- ③ PIN HEADER KIT CONSISTING OF 2 PIECES OF 530341-1 AND 2 PIECES OF 530347-3.
- ④ CONSISTS OF 2 PIECES OF 530341-1.
- ⑤ PIN HEADER KIT CONSISTING OF 2 PIECES OF 530341-1 AND 2 #2-56 CROSS RECESSED ROUND HEADED SCREWS .250 LONG.
- ⑥ RECEPTACLE KIT CONSISTING OF 2 PIECES OF 530341-1 AND 2 PIECES OF 530347-2.

| | | |
|----------|-----------------------|-------------|
| ⑥ | --- | 530341-8 |
| ⑤ | --- | 530341-7 |
| ④ | --- | 530341-6 |
| ③ | --- | 530341-5 |
| ② | --- | 530341-4 |
| ① | --- | 530341-3 |
| AS SHOWN | M55302/31-04 | 530341-1 |
| REMARKS | MILITARY PARTR NUMBER | PART NUMBER |

| | | | |
|--|------------------------------|---|--------------------|
| DO NOT SCALE PRINT. UNLESS SPECIFIED DIMENSIONS IN INCHES [mm] TOLERANCES ON : 2 PLC DEC ± _____ 3 PLC DEC ± .005 [0.13] ANGLES ± _____ | DR 4-18-91 T. SHUEY | AMP Incorporated Harrisburg, PA 17105-3608 | |
| | CHK 2-23-93 D. MILLER | | |
| MATERIAL STAINLESS STEEL PER ASTM-A-582 | APPD 2-23-93 B. FOLEY | EXTERNAL KEY, BOX CONNECTOR | |
| FINISH PASSIVATED PER QQ-P-35 | APPD 2-23-93 T. ALEXANDER | SIZE C | CAGE CODE 00779 |
| | APPLICATION SPEC - | DRAWING NO 530341 | SHEET 1 OF 1 |
| | WEIGHT - | SCALE 10:1 | |